

Product data sheet

Characteristics

MGL36400

Circuit Breaker, PowerPact M, electronic trip, 400A, 3 poles, 18 kA, 600 V, ABC phasing



Product availability: Stock - Normally stocked in distribution facility

Price*: 7560.00 USD



Main

| | |
|---------------------------|-----------------|
| Product or component type | Circuit breaker |
|---------------------------|-----------------|

Complementary

| | |
|---------------------------|------------------------------------------------------------------------------------------------------|
| Line Rated Current | 400 A |
| Poles description | 3P |
| Breaking capacity code | G |
| Magnetic tripping current | 800...4000 A |
| Electrical connection | Lugs load Lugs line |
| Terminal identifier | AL800M23K |
| Tightening torque | 442.54 Lbf.In (50 N.m) 0.15...0.37 in ² (95...240 mm ²) (AWG 3/0...500 kcmil) |
| Height | 12.86 In (326.6 mm) |
| Width | 0.32 In (8.06 mm) |
| Depth | 8.27 In (210 mm) |
| Continuous current rating | 80 % |

Ordering and shipping details

| | |
|-----------------------|-----------------------------------|
| Category | 01205 - MG, MJ UNIT MOUNT BREAKER |
| Discount Schedule | DE2 |
| GTIN | 00785901507659 |
| Nbr. of units in pkg. | 1 |
| Package weight(Lbs) | 28.90 Lb(US) (13.109 kg) |
| Returnability | Yes |
| Country of origin | US |

The information provided in this documentation contains general descriptions and/or technical characteristics of the performance of the products contained herein. This documentation is not intended as a substitute for and is not to be used for determining suitability or reliability of these products for specific user applications. It is the duty of any such user or integrator to perform the appropriate and complete risk analysis, evaluation and testing of the products with respect to the relevant specific application or use thereof. Neither Schneider Electric Industries SAS nor any of its affiliates or subsidiaries shall be responsible or liable for misuse of the information contained herein. *Prices are indicative

Packing Units

| | |
|------------------------|----------------------|
| Unit Type of Package 1 | PCE |
| Package 1 Height | 10.80 In (27.432 cm) |
| Package 1 width | 12.00 In (30.48 cm) |
| Package 1 Length | 18.20 In (46.228 cm) |

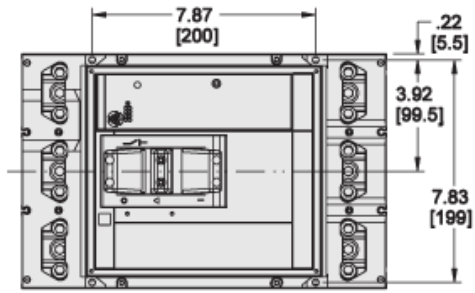
Offer Sustainability

| | |
|----------------------------|--------------------------------------------------------------------------------------------------------------------------------------------------------------------------------------------------------------------------------------------------------------------------------------------------------------------------------------|
| Sustainable offer status | Green Premium product |
| California proposition 65 | WARNING: This product can expose you to chemicals including: DIN-P, which is known to the State of California to cause cancer, and DID-P, which is known to the State of California to cause birth defects or other reproductive harm. For more information go to www.P65Warnings.ca.gov |
| REACH Regulation | REACH Declaration |
| EU RoHS Directive | Compliant EU RoHS Declaration |
| Mercury free | Yes |
| RoHS exemption information | Yes |
| China RoHS Regulation | China RoHS Declaration |
| Environmental Disclosure | Product Environmental Profile |
| Circularity Profile | End Of Life Information |
| WEEE | The product must be disposed on European Union markets following specific waste collection and never end up in rubbish bins. |
| PVC free | Yes |

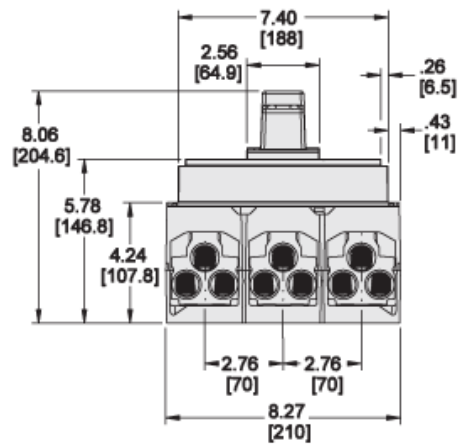
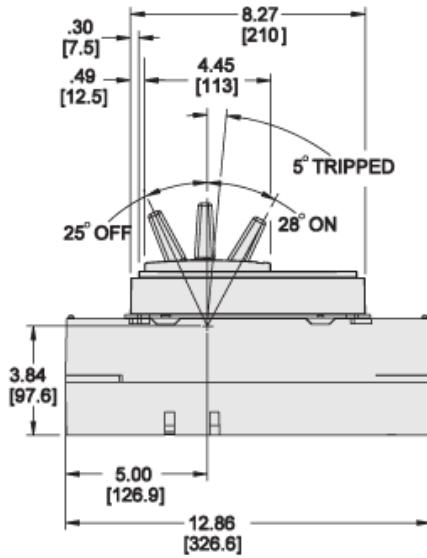
Contractual warranty

| | |
|----------|-----------|
| Warranty | 18 months |
|----------|-----------|

Approximate Dimensions



in.
[mm]



Product Life Status : Commercialised